



# FIREFIGHTING FOAM PRODUCTS CATALOG





# Firefighting Foam Products Catalog

## Table of Contents

Firefighting Foam Agents . . . . .	1-2
Special Agents . . . . .	2
Handline Nozzles and Eductors . . . . .	3-4
Manual Monitors . . . . .	5
Automatic Water-Oscillating Monitors . . . . .	5
High-Flow Series Monitors/Nozzles . . . . .	6
Remote-Controlled Monitors . . . . .	6
Monitor Joystick Control Units . . . . .	7
Master Stream Monitor Nozzles . . . . .	7
MasterFoam Monitor Nozzles . . . . .	8
Air Aspirating Foam Nozzles . . . . .	8
MOBILFOAM Carts . . . . .	9
Proportioning Foam Trailers . . . . .	9
Around-the-Pump Proportioners . . . . .	10
FLOW-MIX Foam Proportioner . . . . .	10
36 Gallon Foam Station . . . . .	11
Floating Roof Foam Makers . . . . .	11
Foam Chambers/Accessories . . . . .	12
JET-X® High Expansion Generators/Accessories . . . . .	13
Foam Training Agenda . . . . .	14
Foam Concentrate Testing . . . . .	15

Please Note: In addition to the portable foam equipment listed in this catalog, Ansul also manufactures a variety of equipment made for fixed-foam system applications. These items include:

- Vertical and horizontal bladder tanks
- Bladder tank accessories
- Threaded and flanged proportioners
- In-line balanced pressure proportioners
- Polyethylene foam tanks

Please contact your Ansul Field Sales Representative or call Ansul Technical Services at **1-800-TO-ANSUL or 1-715-735-7415** for design and pricing information of fixed-foam systems.

# Firefighting Foam Agents

## ANSULITE® 1% AFFF Concentrate



For use on Class B hydrocarbon fuel fires such as crude oils, gasoline, diesel fuels and aviation fuels. Aspirated or nonaspirated discharge devices. 1% solution in fresh, salt or hard water. 1% premix in fresh or potable water. UL Listed.

5 gal. (19 L) pail  
**PART NO. 55804**

55 gal. (208 L) drum  
**PART NO. 55811**

## ANSULITE® 1% Freeze-Protected AFFF Concentrate



For use on Class B hydrocarbon fuel fires such as crude oils, gasoline, diesel fuels and aviation fuels. Aspirated or nonaspirated discharge devices. 1% solution in fresh, salt or hard water. 1% premix in fresh or potable water. Concentrate is freeze protected to -20°F (-29°C). UL Listed.

5 gal. (19 L) pail  
**PART NO. 415301**

55 gal. (208 L) drum  
**PART NO. 415303**

## ANSULITE® 3% AFFF Concentrate (AFC-3-A)



For use on Class B hydrocarbon fuel fires such as crude oils, gasoline, diesel fuels, and aviation fuels. Aspirated or nonaspirated discharge devices. 3% solution in fresh, salt or hard water. 3% premix in fresh or potable water. UL Listed.

5 gal. (19 L) pail  
**PART NO. 55800**

55 gal. (208 L) drum  
**PART NO. 55809**

## ANSULITE® PREMIUM 3% AFFF Concentrate MIL SPEC (AFC-5-A)



For use on Class B hydrocarbon fuel fires such as crude oils, gasoline, diesel fuels and aviation fuels. Aspirated or nonaspirated discharge devices. 3% solution in fresh, salt or hard water. 3% premix in fresh or potable water. UL Listed. On QPL under U.S. Military Specification MIL-F-24385F.

5 gal. (19 L) pail  
**PART NO. 68122**

55 gal. (208 L) drum  
**PART NO. 68123**

## ANSULITE® 3% Freeze-Protected AFFF Concentrate



For use on Class B hydrocarbon fuel fires such as crude oils, gasoline, diesel fuels and aviation fuels. Aspirated or nonaspirated discharge devices. 3% solution in fresh, salt or hard water. 3% premix in fresh or potable water. Concentrate is freeze protected to -20°F (-29°C). UL Listed.

5 gal. (19 L) pail  
**PART NO. 54783**

55 gal. (208 L) drum  
**PART NO. 54892**

## ANSULITE® 6% AFFF Concentrate (AFC-3)



For use on Class B hydrocarbon fuel fires such as crude oils, gasoline, diesel fuels and aviation fuels. Aspirated or nonaspirated discharge devices. 6% solution in fresh, salt or hard water. 6% premix in fresh or potable water. UL Listed.

5 gal. (19 L) pail  
**PART NO. 54391**

55 gal. (208 L) drum  
**PART NO. 54392**

## ANSULITE® PREMIUM 6% AFFF Concentrate MIL SPEC (AFC-5)



For use on Class B hydrocarbon fuel fires such as crude oils, gasoline, diesel fuels and aviation fuels. Aspirated or nonaspirated discharge devices. 6% solution in fresh, salt or hard water. 6% premix in fresh or potable water. UL Listed. On QPL under U.S. Military Specification MIL-F-24385F.

5 gal. (19 L) pail  
**PART NO. 68120**

55 gal. (208 L) drum  
**PART NO. 68121**

## ANSULITE® 3X3 Low Viscosity Alcohol-Resistant AFFF Concentrate



Superior firefighting performance on Class B fuel fires. Used as 3% concentrate on BOTH hydrocarbon fuels such as gasoline, fuel oil, etc., and polar solvent (water miscible) fuels such as methyl alcohol, acetone, MTBE, etc. Low viscosity formula enhances performance with in-line eductors, balanced pressure systems and built-in systems on firefighting vehicles. Aspirated or nonaspirated discharge devices. 3% solution in fresh, salt or hard water. 3% premix in fresh water. UL Listed, FM and USCG Approved.

5 gal. (19 L) pail  
**PART NO. 427103**

55 gal. (208 L) drum  
**PART NO. 427104**

# Foam Systems Design and Specification Training

This program is recommended for all personnel involved in the specification, design, installation or commissioning of foam systems. It includes all areas of the design, equipment selection, foam agent application and installation of fixed foam systems for a variety of hazards in accordance with NFPA Standards. Special emphasis is given to the identification and specifications of all component parts of the different fixed foam systems.

## Day 1

### **Foam Agents**

- U.L. 162 AFFF Test Demonstration
- High Expansion Foam Demonstration

### **Bladder Tank Systems**

- System Component Analysis
- Bladder Installation
- Bladder Tank Filling Procedures
  - Demonstration on Existing System

### **Balanced Pressure Proportioning System**

- System Component Analysis
  - Demonstration on Existing System
- Pump Adjustment and Maintenance Procedures
  - Demonstration on Existing System

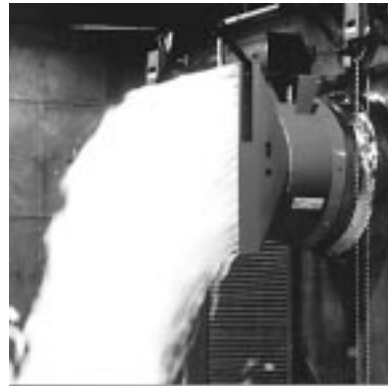
## Day 2

### **Foam System Discharge Devices**

- Water Oscillating Monitor
  - Adjustment Procedures
  - Winterizing Procedures

### **Foam System Discharge Procedures**

- Foam Sample and Analysis Procedures
  - Refractive Index Testing
  - Lab Testing Foam Concentrates



# JET-X® High Expansion Generators/Accessories

## High Expansion Generators/Accessories

Water-powered. Designed to deliver JET-X® high expansion foam with a maximum output capacity of 20,000 cfm. The generators are of steel construction with a water powered motor and stainless steel foam screen. No electrical power is required. The generators come in various sizes and are used for both portable and fixed-system applications.

### High Expansion Generator, JET-X-2

1,770 CFM @ 75 psi (5 bar).

**PART NO. 420000**

### High Expansion Generator, JET-X-2A

3,200 CFM @ 75 psi (5 bar).

**PART NO. 420001**

### High Expansion Generator, JET-X-5

6,720 CFM @ 75 psi (5 bar).

**PART NO. 420002**

### High Expansion Generator, JET-X-5A

7,500 CFM @ 75 psi (5 bar).

**PART NO. 420003**

### High Expansion Generator, JET-X-15A

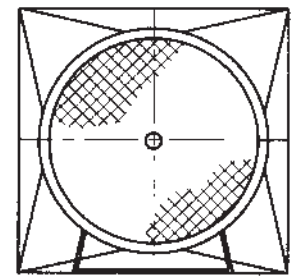
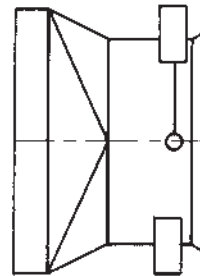
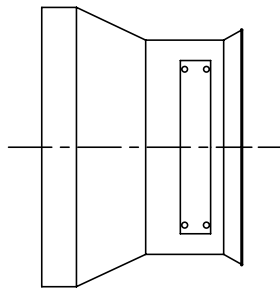
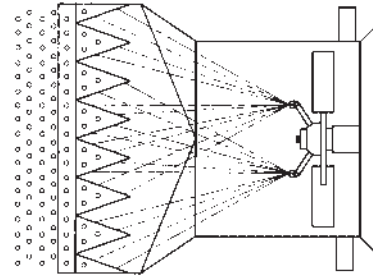
17,410 CFM @ 75 psi (5 bar).

**PART NO. 420005**

### High Expansion Generator, JET-X-15A (LNG)

14,495 CFM @ 75 psi (5 bar). UL Listed.

**PART NO. 420007**



## Portable High Expansion Foam Generators

Portable foam generator may be used for total flooding or local application. Minimizes water damage. Supplied with 100 ft. (30 m) of expandable polyethylene ducting. Common applications include warehouses, ship holds, engine rooms, enclosed spaces and mining. Corrosion-resistant pipe work and fittings.

### JET-X-PFG-7, 7200 CFM (204 CMM)

**PART NO. 430837**

### JET-X-PFG-M, 2600 CFM (74 CMM)

**PART NO. 430839**



## High Expansion Foam Chute (Not Shown)

Foam discharge nylon tube used for portable applications.

JET-X-2 and 2A, 25 ft. (8 m)

**PART NO. 420020**

JET-X-2 and 2A, 50 ft. (15 m)

**PART NO. 420021**

JET-X-5 and 5A, 25 ft. (8 m)

**PART NO. 420022**

JET-X-5 and 5A, 50 ft. (15 m)

**PART NO. 420023**

JET-X-15 and 15A, 25 ft. (8 m)

**PART NO. 420024**

JET-X-15 and 15A, 50 ft. (15 m)

**PART NO. 420025**

JET-X-15 and 15A, 100 ft. (30 m)

**PART NO. 420026**



# Firefighting Foam Agents

## ANSULITE® ARC Alcohol-Resistant 3%/6% AFFF Concentrate



For use on Class B fuel fires: 3% concentrate on hydrocarbon fuels such as gasoline, fuel oil, etc. and 6% on polar solvent (water miscible) fuels such as methyl alcohol, acetone, MTBE, etc. Aspirated or nonaspirated discharge devices. 3%/6% solution in fresh, salt or hard water. 3%/6% premix in fresh or potable water. UL Listed and FM Approved.

5 gal. (19 L) pail  
**PART NO. 55797**

55 gal. (208 L) drum  
**PART NO. 55808**

## JET-X® 2 3/4% High-Expansion Foam Concentrate



For use on Class A, B and LNG fires. Capable of total flooding large rooms and enclosures when used with JET-X high-expansion generators at 200:1 to 1000:1 expansion ratios (2 1/2% concentration). Also used with medium-expansion equipment at 50:1 to 200:1 expansion ratios (2% concentration). Used only with air aspirating foam discharge devices. UL Listed and FM Approved.

5 gal. (19 L) pail  
**PART NO. 420008**

55 gal. (208 L) drum  
**PART NO. 420009**

## SILV-EX® "Class A" Fire Control Concentrate



Makes water at least five times more effective on many Class A deep-seated applications including wild fires and fires found in structures, paper, tires, and coal. Proportioned from 0.1% to 1% in fresh brackish or sea water; as a premix in fresh or potable water for long-term storage. Delivered using aspirating and nonaspirating discharge devices, compressed air foam systems or dropped from fixed or rotary wing aircraft. Approved by U.S. Forest Service.

5 gal. (19 L) pail, **PART NO. 75451**

30 gal. (114 L) drum, **PART NO. 79704**

55 gal. (208 L) drum, **PART NO. 75452**

## ANSUL® 3% Fluoroprotein Foam Concentrate



For use on Class B hydrocarbon fuel fires such as crude oils, gasoline, diesel fuels and aviation fuels. Must be used with air aspirating type discharge devices. 3% solution in fresh, salt or hard water. UL Listed.

5 gal. (19 L) pail  
**PART NO. 73973**

55 gal. (208 L) drum  
**PART NO. 73972**

## ANSUL® 3% Regular Protein Foam Concentrate



For use on Class B hydrocarbon fuel fires such as crude oils, gasoline, diesel fuels and aviation fuels. Must be used with air aspirating type discharge devices. 3% solution in fresh, salt or hard water. UL Listed.

5 gal. (19 L) pail  
**PART NO. 73971**

55 gal. (208 L) drum  
**PART NO. 73970**

## THUNDERSTORM 1x3 Foam Concentrate



This alcohol-resistant AFFF concentrate has lower viscosity, enhancing performance in all types of foam proportioning equipment. Effective on Class B fires. Intended for use as a 1% proportioned solution on hydrocarbon fuels and as a 3% proportioned solution on polar solvent fuels in fresh, salt or hard water. It may also be stored and used as non-aspirating discharge devices. UL Listed.

5 gal. (19 L) pail  
**PART NO. 429965**

55 gal. (208 L) drum  
**PART NO. 429964**

Most foam agents also available in 265-gallon tote containers or in bulk trailers.

# Special Agents

## TARGET 7™ Vapor Mitigation & Neutralizing Agent



For use on highly toxic chemicals like chlorine dioxide and titanium tetrachloride. Mitigates dangerous vapor releases and simultaneously neutralizes (with the addition of an acidic or caustic agent, depending on the application) the spilled material without causing additional vapor release.

5-gal. (19L) pail  
**PART NO. 428500**

55-gal. (208L) drum  
**PART NO. 428499**

## Training Foam



Not intended for live fire training or for actual firefighting operations. Functional in any proportioning and generating equipment. Minimizes effects of training on the environment. Expansion and drainage characteristics similar to conventional 3% and 6% AFFF products.

5-gal. (19L) pail

**PART NO. 428704**

55-gal. (208L) drum

**PART NO. 428706**

# Handline Nozzles and Eductors

## Handline Nozzles

Designed for industrial and municipal use. Lightweight and rugged. Adjustable tip offers straight stream, various fog patterns, 180° water curtain and a complete shutoff.



**Handline Nozzle D4**, 60 gpm, 1 1/2 in. NHT thread  
**PART NO. 402621**

**Handline Nozzle, D4**, 95 gpm, 1 1/2 in. NHT thread  
**PART NO. 402975**

**Handline Nozzle, D4**, 120 gpm, 1 1/2 in. NHT thread  
**PART NO. 402623**

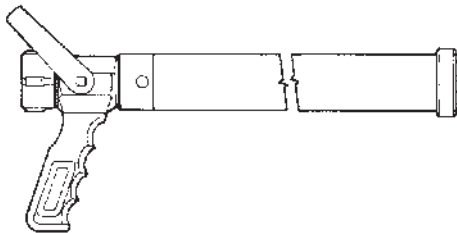
**Handline Nozzle, D4**, 60 gpm, 1 1/2 in. NPSH thread  
**PART NO. 402620**

**Handline Nozzle, D4**, 95 gpm, 1 1/2 in. NPSH thread  
**PART NO. 402968**

**Handline Nozzle, D4**, 120 gpm, 1 1/2 in. NPSH thread  
**PART NO. 402622**

## Air-Aspirating Handline Nozzles

Used with all low expansion foam agents. Stainless steel nozzle. 1-1/2 in. hose. 200 ft. max. when used with matching PL – eductor.



**Without Shutoff**, 60 gpm (227 Lpm)  
**PART NO. 77796**

**With Shutoff**, 60 gpm (227 Lpm). Pistol-grip shutoff in anodized aluminum. Recommended for use with Ansul PL-60 line proportioner.  
**PART NO. 77792**

**Without Shutoff**, 95 gpm (360 Lpm). Recommended for use with Ansul PL-95 line proportioner. 100 ft. max. hose between line proportioner and nozzle.  
**PART NO. 77797**

**With Shutoff**, 95 gpm (360 Lpm). Pistol-grip shutoff in anodized aluminum. 100 ft. max. Recommended for use with Ansul PL-95 line proportioner.  
**PART NO. 77793**

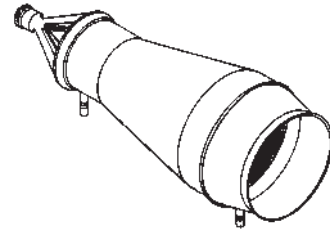
**Without Shutoff**, 120 gpm (454 Lpm). 100 ft. max. Recommended for use with Ansul PL-120 line proportioner.  
**PART NO. 77981**

**With Shutoff**, 120 gpm (454 Lpm). Pistol-grip shutoff in anodized aluminum. 100 ft. max. Recommended for use with Ansul PL-120 line proportioner.  
**PART NO. 78419**

## Super JET-X® High Expansion Handline Nozzle

50 gpm @ 100 psi (7 bar). 1 1/2 - 9 NH. Aluminum construction, 25 ft. range. Recommended for use with the Rockwood 1 1/2 in. FWB eductor.

**PART NO. 420027**



## Low Expansion Nozzles

Used with all low expansion foam agents. Portable, air aspirating stainless steel nozzle with ball shutoff valve. Recommended for use with the Ansul Model Z eductor.

### KR-S2 Low Expansion Nozzle

60 gpm (227 Lpm) @ 100 psi (7 bar). Recommended for use with Ansul Z-2 eductor.

**PART NO. 415981**



### KR-S4 Low Expansion Nozzle

120 gpm (454 Lpm) @ 100 psi (7 bar). Recommended for use with Ansul Z-4 eductor.

**PART NO. 415982**

## Medium Expansion Nozzles

Portable, air aspirating stainless steel nozzle with ball shutoff valve. Recommended for use with the Ansul Model Z eductor and ANSULITE 3x3, FULL-EX Multi-Expansion Foam or SILV-EX Class A Foam.

### KR-M2 Medium Expansion Nozzle

60 gpm (227 Lpm) @ 100 psi (7 bar). Recommended for use with Ansul Z-2 eductor.

**PART NO. 415983**



### KR-M4 Medium Expansion Nozzle

120 gpm (454 Lpm) @ 100 psi (7 bar). Recommended for use with Ansul Z-4 eductor.

**PART NO. 415984**



# Foam Chambers

## Foam Chamber/Maker

Air aspirating foam discharge device used to protect flammable liquid storage tanks. Foam expansion chamber, integral foam maker, stainless steel screened air inlet and orifice plate. Flow range: 49 – 151 gpm (185–572 Lpm) at 40-100 psi (3-7 bar).

### AFC-90

Flow range: 49 – 151 gpm (185–572 Lpm) at 40-100 psi (3-7 bar)

AFC-90, Primed, [PART NO. 75887](#)

AFC-90, Enamel, [PART NO. 75883](#)

AFC-90, Epoxy, [PART NO. 75879](#)

### AFC-170

Flow range: 94 – 279 gpm (356–1033 Lpm) at 40-100 psi (3-7 bar)

AFC-170, Primed, [PART NO. 75888](#)

AFC-170, Enamel, [PART NO. 75884](#)

AFC-170, Epoxy, [PART NO. 75880](#)

### AFC-330

Flow range: 183 – 610 gpm (693–2309 Lpm) at 40-100 psi (3-7 bar)

AFC-330, Primed, [PART NO. 75889](#)

AFC-330, Enamel, [PART NO. 75885](#)

AFC-330, Epoxy, [PART NO. 75881](#)

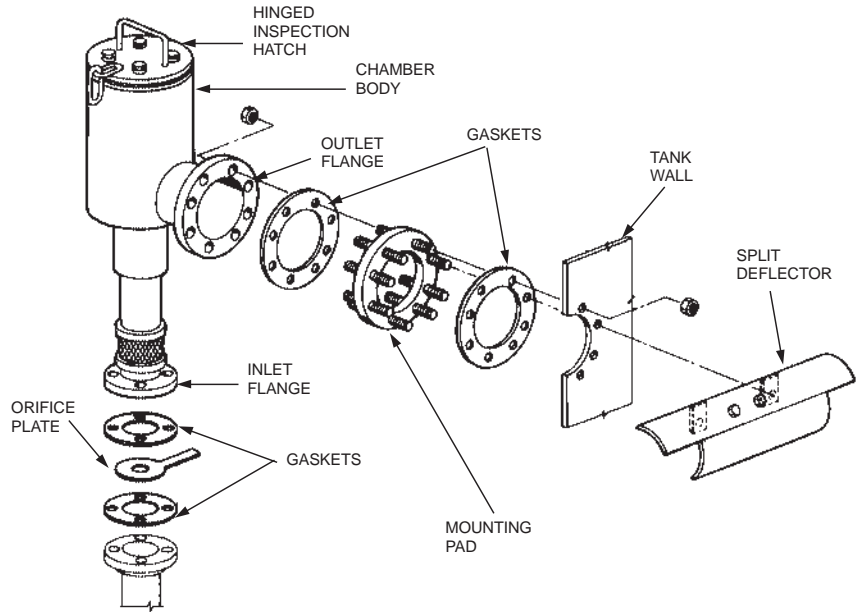
### AFC-550

Flow range: 350 – 980 gpm (1325–3709 Lpm) at 40-100 psi (3-7 bar)

AFC-550, Primed, [PART NO. 75890](#)

AFC-550, Enamel, [PART NO. 75886](#)

AFC-550, Epoxy, [PART NO. 75882](#)



# Foam Chambers Accessories

## Foam Chamber/Maker Split Deflector

Directs foam stream down tank sidewall to lessen the submergence of the foam and agitation of the fuel surface. Allows for bolting or welding to storage tanks.

AFC-90, Primed, [PART NO. 74376](#)

AFC-170, Primed, [PART NO. 74380](#)

AFC-330, Primed, [PART NO. 74384](#)

AFC-550, Primed, [PART NO. 74388](#)

## Foam Chamber Mounting Pad

Used to bolt foam chamber and deflector to storage tank. Contains mounting studs to fit standard flange holes.

AFC-90 Mounting Pad, Primed, [PART NO. 74392](#)

AFC-90 Mounting Pad, Epoxy, [PART NO. 74390](#)

AFC-170 Mounting Pad, Primed, [PART NO. 74396](#)

AFC-170 Mounting Pad, Epoxy, [PART NO. 74394](#)

AFC-330 Mounting Pad, Primed, [PART NO. 74400](#)

AFC-330 Mounting Pad Epoxy, [PART NO. 74398](#)

AFC-550 Mounting Pad, Primed, [PART NO. 74404](#)

AFC-550 Mounting Pad Epoxy, [PART NO. 74402](#)

## Foam Chamber Vapor Seal Assembly

Teflon construction, meets UL required burst pressure range of 10 – 25 psi (.7-1.7 bar)

AFC-90 Vapor Seal Assembly, [PART NO. 418581](#)

AFC-170 Vapor Seal Assembly, [PART NO. 418582](#)

AFC-330 Vapor Seal Assembly, [PART NO. 418583](#)

AFC-550 Vapor Seal Assembly, [PART NO. 418584](#)

AFC-90 Cover Gasket, [PART NO. 75985](#)

AFC-170 Cover Gasket, [PART NO. 75986](#)

AFC-330 Cover Gasket, [PART NO. 75987](#)

AFC-550 Cover Gasket, [PART NO. 75988](#)

## Foam Chamber Orifice Plate

Removable, sized to deliver the required flow rate of foam solution at a specified inlet pressure.

AFC-90 Orifice Plate, [PART NO. 74610](#)

AFC-170 Orifice Plate, [PART NO. 74611](#)

AFC-330 Orifice Plate, [PART NO. 74612](#)

AFC-550 Orifice Plate, [PART NO. 74613](#)

## Foam Chamber Diverter Test Tube

Used for foam solution quality testing.

AFC-90 Foam Diverter Test Tube, [PART NO. 74408](#)

AFC-170 Foam Diverter Test Tube, [PART NO. 74412](#)

AFC-330 Foam Diverter Test Tube, [PART NO. 74416](#)

AFC-550 Foam Diverter Test Tube, [PART NO. 74420](#)

Foam Chamber Cover Screw, All Models, [PART NO. 75968](#)

# 36-Gallon Foam Station

## Bladder Tank

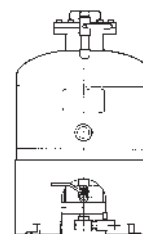
Elastomeric bladder stores foam liquid concentrate discharged by incoming water applying pressure to bladder.

Enamel

PART NO. 404127

Epoxy

PART NO. 404413



## Bladder Tank Pre-Piped to 2 in. Proportioner

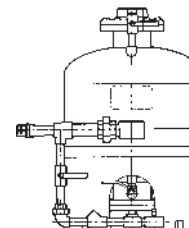
Bladder tank with 2 in. proportioner for nominal flow range of 30-300 gpm (114-1136 Lpm).

Enamel

PART NO. 403942

Epoxy

PART NO. 404414



## Foam Station with Hose Reel and Nozzle

Continuous flow hose reel with straight-through internal fittings, designed to provide a minimum pressure drop. 1 1/2 in. hard rubber booster hose. Nozzle is variable stream (water/AFFF), rated for nominal flow of 95 gpm (379 Lpm) at 100 psi (7 bar).

Enamel 75 ft. hose

PART NO. 76400

Epoxy, 75 ft. hose

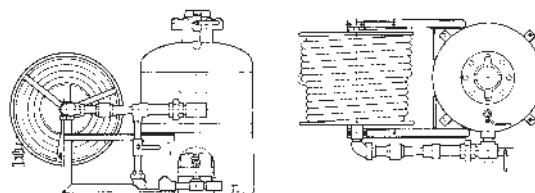
PART NO. 76401

Enamel, 100 ft. hose

PART NO. 404103

Epoxy, 100 ft. hose

PART NO. 404197



# Floating Roof Foam Makers

## Floating Roof Foam Maker, Stainless Steel

Flow ranges based on 30 psi for smallest orifice and 100 psi (7 bar) for largest. Removable orifice plate delivers foam solution over a range of flow rates depending on inlet pressure.

FLR-30

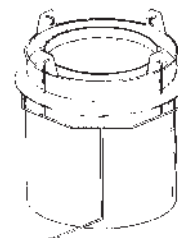
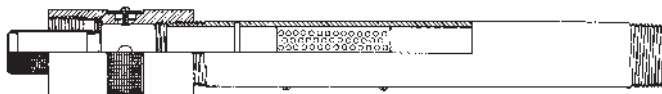
7 - 59 gpm (26-223 Lpm) flow range.

PART NO. 75615

FLR-90

31 - 150 gpm (117-568 Lpm) flow range.

PART NO. 75633



## Floating Roof Foam Pourers

Air aspirating foam discharge device designed to protect floating roof, flammable liquid storage tanks. Classified as Type II discharge device in accordance with NFPA 11, "Standard for Low-Expansion Foam." Flow range 30 - 150 psi (2-10 bar). Designed for UL Listed floating roof foam maker.

FLR-30-FP

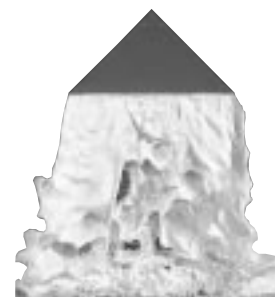
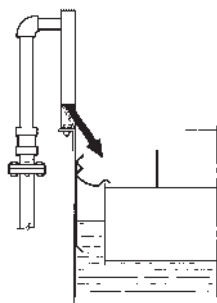
7-71 gpm (26-269 Lpm) flow range. A stainless steel foam solution strainer is provided.

PART NO. 428170

FLR-90-FP

31-184 gpm (117-696 Lpm) flow range

PART NO. 428171



# Handline Nozzles and Eductors

## Dual Expansion Nozzles

Easily convertible from medium to low expansion. Air aspirating stainless steel nozzle with ball shutoff valve. Recommended for use with the Ansul Model Z eductor and ANSULITE 3x3, FULL-EX Multi-Expansion or SILV-EX Class A Foam.

### KR-S/M2 Dual Expansion Nozzle

60 gpm (227 Lpm) @ 100 psi (7 bar). Recommended for use with Ansul Z-2 eductor.

**PART NO. 415985**



### KR-S/M4 Dual Expansion Nozzle

120 gpm (454 Lpm) @ 100 psi (7 bar). Recommended for use with Ansul Z-4 eductor.

**PART NO. 415986**

## FWB Eductor with Pickup Tube and Metering Valve

Brass construction. Flexible pickup hose and valve adjustable from 1 to 6% concentration.

1 1/2 in. NH, 60 gpm (227 Lpm)

**PART NO. 420068**

1 1/2 in. NH, 95 gpm (360 Lpm)

**PART NO. 420069**

1 1/2 in. NPSH, 60 gpm (227 Lpm)

**PART NO. 421466**

1 1/2 in. NPSH, 95 gpm (360 Lpm)

**PART NO. 421473**

Pickup Tube, 1 1/2 in. Replacement

**PART NO. 420071**

2 1/2 in. NH, 120 gpm (454 Lpm)

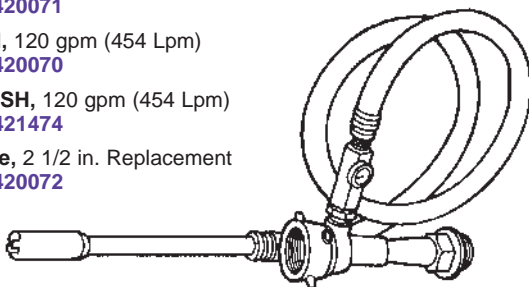
**PART NO. 420070**

2 1/2 in. NPSH, 120 gpm (454 Lpm)

**PART NO. 421474**

Pickup Tube, 2 1/2 in. Replacement

**PART NO. 420072**



## F-503B Educting Nozzles

Straight stream foam, portable, air aspirating, bronze construction. Used with various low expansion foams like SILV-EX Class A and ANSULITE Class B foam concentrates. Built-in pickup tube and metering valve adjustable from 1 to 6% concentration.



1 1/2 in. NH, 60 gpm (227 Lpm) @ 100 psi (7 bar).

**PART NO. 420064**

1 1/2 in. NPSH, 60 gpm (227 Lpm) @ 100 psi (7 bar).

**PART NO. 421478**

2 1/2 in. NH, 120 gpm (454 Lpm) @ 100 psi (7 bar).

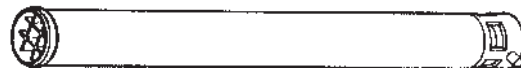
**PART NO. 421479**

2 1/2 in. NPSH, 120 gpm (454 Lpm) @ 100 psi (7 bar).

**PART NO. 420066**

## F-603B Nozzles

Straight stream foam, portable, air aspirating, bronze construction. Used with various low expansion foams like SILV-EX Class A and ANSULITE Class B foam concentrates.



1 1/2 in. NH, 60 gpm (227 Lpm) @ 100 psi (7 bar).

**PART NO. 420065**

1 1/2 in. NPSH, 60 gpm (227 Lpm) @ 100 psi (7 bar).

**PART NO. 421464**

2 1/2 in. NH, 120 gpm (454 Lpm) @ 100 psi (7 bar).

**PART NO. 420067**

2 1/2 in. NPSH, 120 gpm (454 Lpm) @ 100 psi (7 bar).

**PART NO. 421481**

**Horseshoe Handle Ball Shutoff,**

1 1/2 in. Shutoff valve for 1 1/2 in. nozzle.

**PART NO. 420076**

**Horseshoe Handle Ball Shutoff,**

2 1/2 in. Shutoff valve for 2 1/2 in. nozzle.

**PART NO. 420077**

## Foam Eductors

Metering valve adjustable from 0 to 6%. Efficient, low cost proportioning. Brass construction, anodized aluminum couplings with NHT threads.

**Z-2 Foam Eductor,**

60 gpm (227 Lpm).

**PART NO. 415979**

**Z-4 Foam Eductor,**

120 gpm (454 Lpm).

**PART NO. 415980**



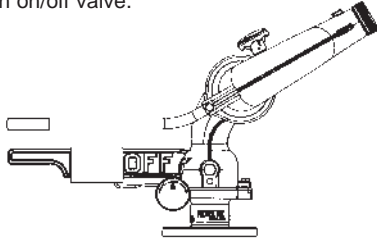
# Monitors

## MANUAL MONITORS

### Protector Station Monitor

Patented waterway and stream straightening vane reduce friction loss and turbulence. Designed to deliver water or foam solution at flows up to 1250 gpm. Bolts directly to 4 in. pipe flange. 2 1/2 in. male NHT outlet. 1/2 in. NPT drain valve and pressure gauge ports. Brass construction. Built-in on/off valve.

**PART NO. 427469**



### MM-4 Manual Monitor

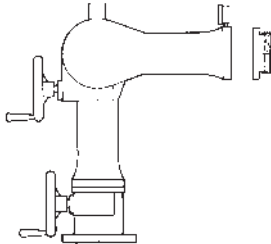
Designed to deliver over 2000 gpm (7570 Lpm). Water or foam solution. Aluminum or brass waterway. 4 in. 150 lb. ANSI mounting flange. 360° sweep. 160° total vertical movement. Hand wheels control rotation and elevation. 4 in. flanged outlet (see optional NHT nozzle adapters). Pressure gauge and nozzle adaptors available upon request.

Aluminum

**PART NO. 402750**

Brass

**PART NO. 402770**



### Manual Monitor MM-1000-3

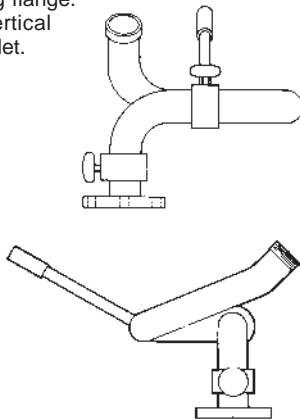
Designed to deliver 1000 gpm (3785 Lpm) water or foam solution depending on nozzle selected. 3 in. continuous tubing reduces friction loss. Single tiller bar operation with lock knobs. 3 in. 150 lb. ANSI mounting flange. 360° sweep. 160° total vertical movement. 2 1/2 in. male NHT outlet. Carbon or stainless steel construction with red polyester finish.

MM-1000-3

**PART NO. 400276**

SS-MM-1000-3

**PART NO. 402825**



### Manual Monitor MM-1000-4

Designed to deliver 1000 gpm (3785 Lpm) water or foam solution depending on nozzle selected. 3 in. continuous tubing reduces friction loss. Single tiller bar operation with lock knobs. 4 in. 150 lb. ANSI mounting flange. 360° sweep. 160° total vertical movement. 2 1/2 in. male NHT outlet. Carbon or stainless steel construction with red polyester finish.

MM-1000-4

**PART NO. 400286**

SS-MM-1000-4

**PART NO. 402826**

## AUTOMATIC WATER-OSCILLATING MONITORS

### WOM-3 Water-Oscillating Monitor

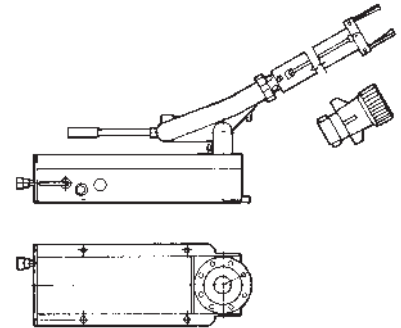
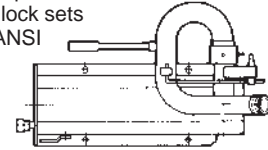
Designed to deliver 1000 gpm (3785 Lpm) water or foam solution. Automatically oscillates via water-powered piston and cylinder. Field adjustable up to 200° sweep. 90° total vertical movement. Nonslip lock sets elevation. 4 in. 150 lb. ANSI mounting flange. 2 1/2 in. male NHT outlet. Stainless steel available.

WOM-3

**PART NO. 400000**

WOM-3SS

**PART NO. 400251**

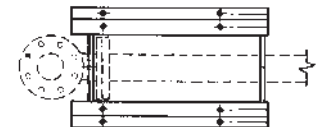
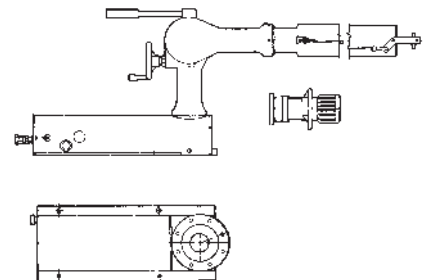
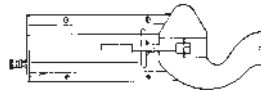


### WOM-4 Water-Oscillating Monitor

Designed to deliver 2000 gpm (7571 Lpm) water or foam solution. Automatically oscillates via water-powered piston and cylinder. Field adjustable up to 165° sweep. 114° total vertical movement. Nonslip lock sets elevation. 4 in. 150 lb. ANSI mounting flange. Special outlet flange connection for AFN-2 foam nozzle. Outlet adaptor available to NHT. Optional support stand available.

WOM-4

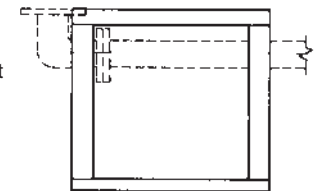
**PART NO. 402675**



### Support Stand (WOM-3/WOM-4)

Steel support stand facilitates mounting of monitor and inlet piping.

**PART NO. 400987**



### Filter Package (WOM)

# Around-the-Pump Proportioners

## Around-the-Pump Proportioner

Proportioners foam concentrate and water at the desired percentage in a fire pump system. Can be used for various shipboard applications.

**Model Dual B-2 Pkg.** 20-400 gpm (76-1515 Lpm), ATP, Class A and B  
**PART NO. 420011**

**Model B-2 Pkg.** 20-400 gpm (76-1515 Lpm), ATP, Class B  
**PART NO. 420012**

**Model W-2 Pkg.** 20-400 gpm (76-1515 Lpm), ATP, Class A  
**PART NO. 420013**

**Model 1200 Pkg.** 60-1200 gpm (227-4543 Lpm), ATP, Class B  
**PART NO. 420014**

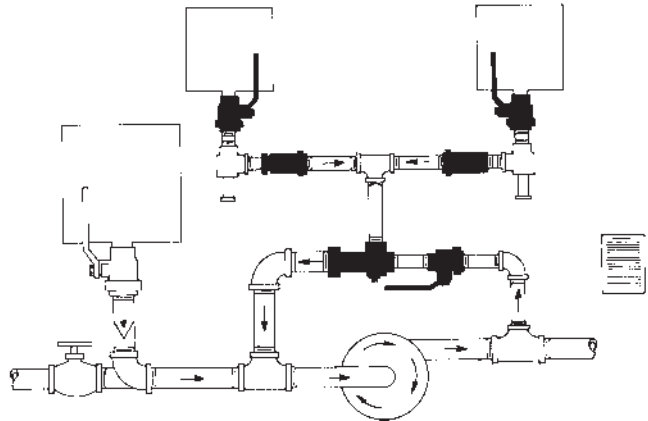
**Model 1600 Pkg.** 150-1600 gpm (568-6057 Lpm), ATP, Class B  
**PART NO. 420015**

**Eductor**  
**PART NO. 420016**

**Metering Valve, 1-L**  
**PART NO. 420017**

**Metering Valve, 1-W**  
**PART NO. 420018**

**Metering Valve, Panel Mount**  
**PART NO. 420019**



# FLOW-MIX Foam Proportioner

## FLOW-MIX 500 Foam Proportioner

Fully self-contained, positive pressure, foam concentrate to water proportioner. Proportions a foam liquid concentrate into a water stream up to 1% concentration. Adjustable, precision metering valve. Requires no outside power source. Removable pickup tube for refilling.

**PART NO. 415148**



# MOBILFOAM Carts

## 36 Gallon Foam Cart

The Ansul Mobile firefighting foam-attack cart is a self-contained fast-response cart ideal for small fires and chemical spills. It comes with a 36-gallon foam concentrate tank, a choice of (3) different-types of nozzles at flows of 60 or 120 gpm (227 or 454 Lpm), a matching eductor, and (2) 50 ft. lengths of 1 3/4 in. double-jacketed and lined firehose with NHT fittings. Please specify nozzle and part number when ordering.

**Cart with 60 gpm low expansion KR-S2 foam nozzle**

**PART NO. 429952**

**Cart with 60 gpm medium expansion KR-M2 foam nozzle**

**PART NO. 429953**

**Cart with 60 gpm Waterfog nozzle**

**PART NO. 429954**

**Cart with 125 gpm low expansion KR-S4 foam nozzle**

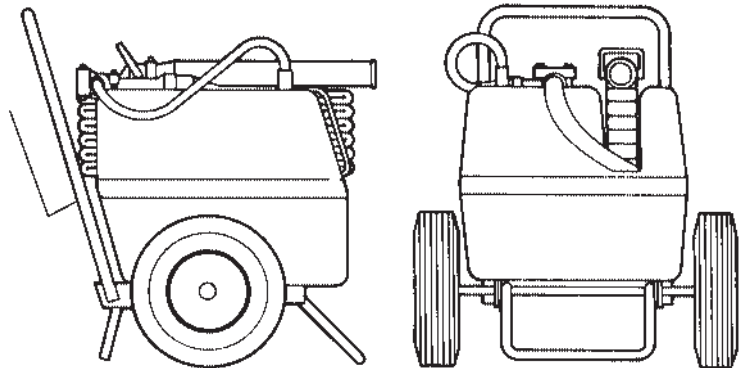
**PART NO. 429955**

**Cart with 125 gpm medium expansion KR-M4 foam nozzle**

**PART NO. 429956**

**Cart with 125 gpm Waterfog nozzle**

**PART NO. 429957**



# Proportioning Foam Trailers

## Proportioning Foam Trailer

Trailer assembly constructed of structural steel channel with axle(s), wheels and tires designed to carry trailer's gross weight with equipment including carbon steel tank with removable gasketed top, in-line balanced pressure proportioning system and positive displacement foam concentrate pump.

**PTF-500, 500 gal. (1893 L)**

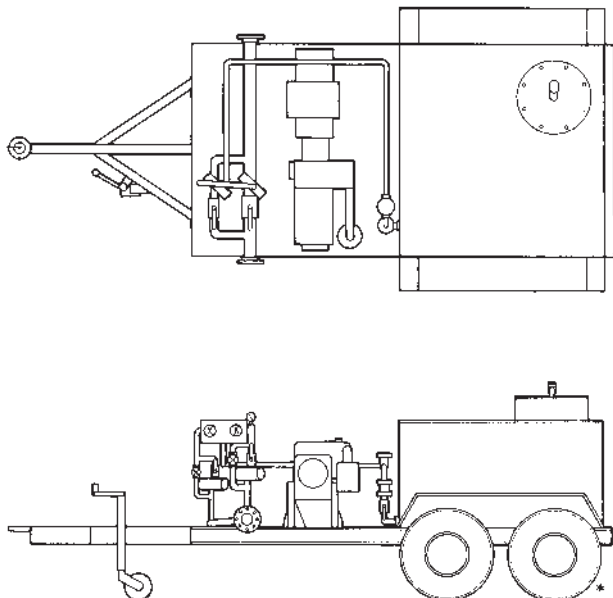
**PART NO. 415144**

**PTF-750, 750 gal. (2839 L)**

**PART NO. 415145**

**PTF-1000, 1000 gal. (3785 L)**

**PART NO. 415146**



## MasterFoam Tote-Trailer

Trailer assembly constructed of structural steel channel with axle(s), wheels and tires designed to carry trailer's gross weight with equipment including 275 gal. (1041 L) capacity foam tote tank made of high-density polyethylene and protected by a rigid welded galvanized tubular steel grid. Also includes a Protector Station Monitor with built-in on/off valve and Ansul MasterFoam nozzle

**PART NO. 428560**



# Monitors

## HIGH-FLOW SERIES MONITORS/NOZZLES

The High-Flow Series achieves flow rates from 800 to more than 5000 gallons per minute (3000 to 18927 Lpm) depending on the model, nozzle setting, and inlet pressure. The dual waterway design, integrated nozzle, lightweight stainless steel construction and integral copper alloy nozzle make the High-Flow Series well suited for marine applications and other corrosive environments. The manual monitor is available with a standard or self-educing nozzle.



MODEL FJM-200

**FJM-80, 1000 gpm @ 232 psi (3785 Lpm @ 16 bar)**  
**PART NO. 431100**

**FJM-80 S with suction hose\*, 1000 gpm @ 232 psi (3785 Lpm @ 16 bar)**  
**PART NO. 431101**

**FJM-80 P, 800 gpm @ 200 psi (3000 Lpm @ 13.8 bar)**  
**PART NO. 431102**

**FJM-80 SP with suction hose\*, 800 gpm @ 200 psi (3000 Lpm @ 13.8 bar)**  
**PART NO. 431103**

**FJM-80 PO, 800 gpm @ 200 psi (3000 Lpm @ 13.8 bar)**  
**PART NO. 431104**

**FJM-80 SPO with suction hose\*, 800 gpm @ 200 psi (3000 Lpm @ 13.8 bar)**  
**PART NO. 431105**

**FJM-100, 1600 gpm @ 232 psi (6000 Lpm @ 16 bar)**  
**PART NO. 431106**

**FJM-100 S with suction hose\*, 1600 gpm @ 232 psi (6000 Lpm @ 16 bar)**  
**PART NO. 431107**

**FJM-100/K EL\*\*, 1600 gpm @ 232 psi (6000 Lpm @ 16 bar)**  
**PART NO. 431108**

**FJM-150, 3100 gpm @ 232 psi (11700 Lpm @ 16 bar)**  
**PART NO. 431109**

**FJM-150 S with 2 in. suction hose\*, 3100 gpm @ 232 psi (11700 Lpm @ 16 bar)**  
**PART NO. 431110**

**FJM-150 G, 3100 gpm @ 232 psi (11700 Lpm @ 16 bar)**  
**PART NO. 431111**

**FJM-150 S G with 2 in. suction hose\*, 3100 gpm @ 232 psi (11700 Lpm @ 16 bar)**  
**PART NO. 431112**

**FJM-150/K EL\*\*, 3100 gpm @ 232 psi (11700 Lpm @ 16 bar)**  
**PART NO. 431113**

**FJM-200/K G, 5300 gpm @ 232 psi (20000 Lpm @ 16 bar)**  
**PART NO. 431114**

**FJM-200/K S G with suction hose\*, 5300 gpm @ 232 psi (20000 Lpm @ 16 bar)**  
**PART NO. 431115**

**FJM-200/K EL/MV\*\*, 5300 gpm @ 232 psi (20000 Lpm @ 16 bar)**  
**PART NO. 431116**

\* Specify flow, inlet pressure, concentrate and % concentration

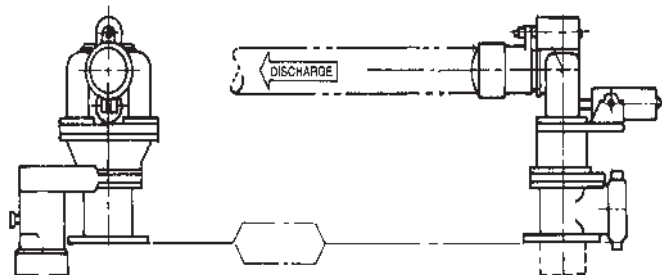
\*\* Specify voltage and current type

EL = electric gear motor driven; G = gear operated; K = rotational coupling has ball bearings; O = water oscillating; P = portable; S = self educating

## REMOTE CONTROLLED MONITORS

### RCM-1 Remote-Controlled Monitor

Ideal for crash-fire-rescue vehicle or fire boats. Hydraulic/electric joystick control of stream pattern, sweep, and elevation. Water or AFFF. Dual waterway. Polished aluminum Alloy. Integral hydraulic nozzle: straight stream to full fog. 180° sweep. 80° total elevation. Nominal range: 150 ft. (46 m) reach @ 200 psi (14 bar).



**2 1/2 in. FNHT straight inlet**  
**PART NO. 400763**

**2 1/2 in. FNHT 90° swivel adaptor inlet**  
**PART NO. 400768**

**1 1/2 in. 90° victaulic inlet**  
**PART NO. 400997**

### RCM-1 Oscillating Remote-Controlled Monitor

Ideal for crash-fire-rescue vehicle or fire boats. Hydraulic/electric joystick control of stream pattern, sweep and elevation. Selectable oscillating sweep pattern up to 180°. Water or AFFF. Dual waterway. Polished aluminum Alloy. Integral hydraulic nozzle: straight stream to full fog. 80° total elevation. Flow rates in excess of 500 gpm. Nominal range: 150 ft. (46 m) reach @ 200 psi (14 bar).

**2 1/2 in. FNHT straight inlet**  
**PART NO. 400325**

**2 1/2 in. FNHT 90° swivel adaptor inlet**  
**PART NO. 400998**

**1 1/2 in. 90° victaulic inlet**  
**PART NO. 408514**

### RCM-2 Remote-Controlled Monitor

Designed for high flow master stream applications. Hydraulic/electric joystick control of sweep, elevation, and stream pattern (see hydraulic Spitfire nozzle). Water or AFFF. Dual waterway. Hard anodized aluminum. 180° sweep. 145° total elevation. Flow rates in excess of 1250 gpm (4732 Lpm) depending on nozzle. 2-1/2 in. MNHT outlet.

#### Manual

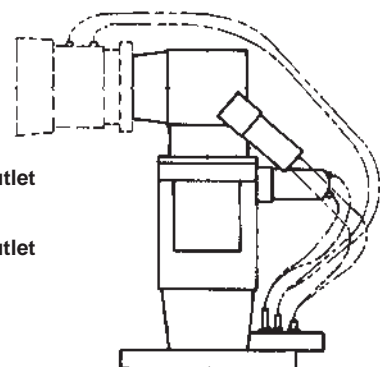
**3 in. 150 lb. ANSI flange outlet**  
**PART NO. 400959**

**4 in. 150 lb. ANSI flange outlet**  
**PART NO. 402995**

#### Oscillating

**3 in. 150 lb. ANSI flange outlet**  
**PART NO. 400953**

**4 in. 150 lb. ANSI flange outlet**  
**PART NO. 402996**



# Monitor Joystick Control Units

## Joystick Control Unit Standard 4-Switch (RCM-1 and RCM-2)

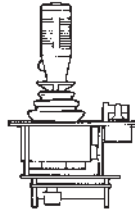
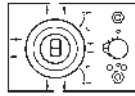
Controls three solenoid valves on the hydraulic control manifold: stream pattern, sweep and elevation. 4-switch unit required when a customer-supplied hydraulic system is used.

**PART NO. 402800**

## Joystick Control Unit Standard 8-Switch (RCM-1 and RCM-2)

Controls three solenoid valves on the hydraulic control manifold: stream pattern, sweep, and elevation. 8-switch unit required when using the Hydraulic Power Package (Part No. 402971)

**PART NO. 402801**



## Joystick Control Unit Oscillating (RCM-1 and RCM-2)

Offers same features as standard joystick, plus it sets the automatic sweep pattern for the oscillating monitor. Required when using RCM-1 or RCM-2 Oscillating Monitors.

**PART NO. 402803**

## Hydraulic Power Package

Contains hydraulic motor, pump, reservoir, relief valve, control manifold, solenoid valves, and flow control valve.

**PART NO. 402971**

# Master Stream Monitor Nozzles

## Industrial Nozzles

Fixed orifice constant flow monitor nozzle. User adjustable fog angle from 90° to straight stream. 2-1/2 in. FNHT. Brass with UV-resistant rubber bumper. Recommended for use with Protector Station, MM-1000, WOM-3 and WOM-4 monitors.

### Industrial Nozzle, 350

350 gpm @ 100 psi (1325 Lpm @ 7 bar). Range is 183 ft. @ 100 psi (55.8 m @ 7 bar)

**PART NO. 427471**

STRIAL NOZZLE

### Industrial Nozzle, 500

500 gpm @ 100 psi (1893 Lpm @ 7 bar). User adjustable fog angle from 90° and straight stream. Range is 200 ft. @ 100 psi (61 m @ 7 bar)

**PART NO. 427472**

### Industrial Nozzle, 750

750 gpm @ 100 psi (2839 Lpm @ 7 bar). User adjustable fog angle from 90° and straight stream. Range is 219 ft. @ 100 psi (66.8 m @ 7 bar).

**PART NO. 427473**

### Industrial Nozzle, Specify gpm

Specify flow and pressure when ordering. Factory ordered fixed orifice: K-factors of 75-125. User adjustable fog angle from 90° and straight stream.

**PART NO. 427474** (Specify Flow and Pressure)

## M-IF Nozzle

Fixed orifice constant flow monitor nozzle. Clean, far-reaching straight stream with flows up to 1250 gpm (473 Lpm). Also adjustable to dense fog. Factory ordered fixed orifice: K-factors of 15-75. 2-1/2 in. FNHT. Hard-coat anodized aluminum.

**PART NO. 427475** (Specify Flow and Pressure)



**PART NO. 400822**

## Spitfire Nozzles

Fixed orifice constant flow monitor nozzle. Water or AFFF. 2-1/2 in. FNHT. Hard anodized aluminum. K-factors of 44-105.

### Spitfire Nozzle

Recommended for use with Protector Station, MM-1000, WOM-3, WOM-4, and RCM-2 monitors. Standard twist adjustment: straight stream to full fog.

**PART NO. 400820**

(Specify Flow and Pressure)



### Spitfire Nozzle with Hydraulic Control

Recommended for use with the RCM-2 monitor. Hydraulically adjustable from straight stream to full fog.

**PART NO.**



**400819** (Specify Flow and Pressure)

## D5 Nozzles

Easily adjustable under high pressure: straight stream to full fog. 2-1/2 in. FNHT. Standard zerk fitting. Lightweight aluminum alloy. Refer to technical data sheet for flow and range characteristics.

**D5-HN Nozzle** Without shut-off.

**PART NO. 400785**

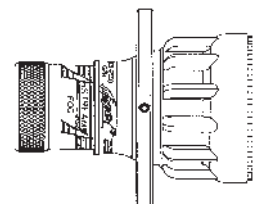
**D5-HS Nozzle** With shut-off.

**PART NO. 400821**

**D5B-N** Without shut-off. Brass.

**PART NO. 400793**

**D5B-S** With shut-off. Brass.





# Master Foam Monitor Nozzles

## Self-Educting Nozzles

Emits foam concentrate at .5, 1, 3, or 6 %. User adjustable fog angle from 120° and straight stream. Brass with UV-resistant rubber bumper. 2-1/2 in. FNHT. Recommended for use with Protector Station, MM-1000 or SS-MM-1000 monitors.

350 gpm @ 100 psi (1325 Lpm @ 7 bar). Range up to 160 ft. @ 100 psi (55.8 m @ 7 bar).

**PART NO. 427460**

**PART NO. 427463 – UL Listed**

500 gpm @ 100 psi (1893 Lpm @ 7 bar). Range up to 175 ft. @ 100 psi (61 m @ 7 bar).

**PART NO. 427461**

**PART NO. 427464 – UL Listed**

750 gpm @ 100 psi (2839 Lpm @ 7 bar). Range up to 190 ft. @ 100 psi (66.8 m @ 7 bar).

**PART NO. 427462**

**PART NO. 427465 – UL Listed**

## Single and Dual Drum Kits

When this kit is properly inserted into a 55-gal. foam drum and connected to any Ansul self-educating nozzle, foam is pulled from the drum to the nozzle. Drum Kit provides a readily available supply of foam to the nozzle. Each corrosion resistant kit consists of a PVC pick up tube and fittings, brass valve, glass filled polypropylene quick connect fittings and a vacuum relief valve.

Single Foam Drum Kit, 45 in. (114 cm)

**PART NO. 428925**

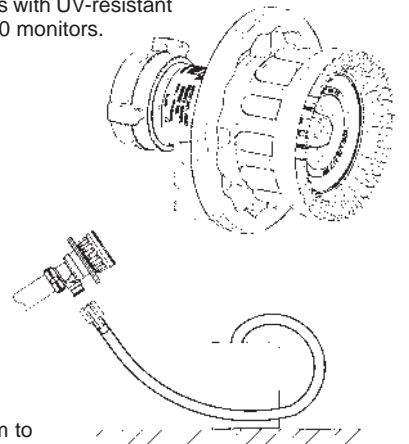
Dual Foam Drum Kit, 45 in. (114 cm)

**PART NO. 429414**

Add-on Foam Drum Kit, 45 in. (114 cm)

**PART NO. 428926**

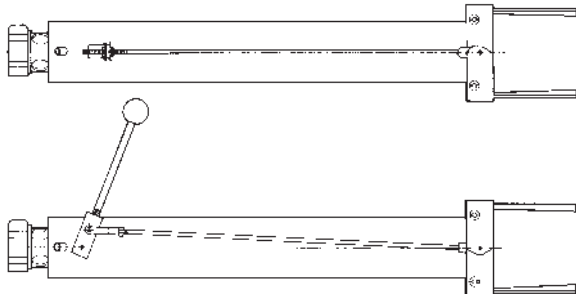
The Dual Foam Drum Kit = Single Foam Drum Kit + Add-on Foam Drum Kit



# Air-Aspirating Foam Nozzles

## AFN-1 Nozzles

Orifice plates can be sized from 250 - 1000 gpm (946-3785 Lpm) based on inlet pressure. Range from 50 - 190 ft. (15-58 m) depending on pressure and elevation. 2-1/2 in. FNHT inlet swivel coupling attaches to WOM-1, MM-1000, and MM-3 monitors. Hard anodized aluminum with stainless steel fasteners and adjustment rod.



### AFN-1 Nozzle

Field adjustable stream pattern from even fan to full straight stream.

**PART NO. 400200**

### AFN-1M Nozzle

Lever-operated stream pattern from even fan to full straight stream.

**PART NO. 400336**

### AFN-1M-SS

Stainless steel nozzle, fasteners and adjustment rod. 2-1/2 in. FNHT inlet swivel coupling attaches to WOM-3, MM-1000 and MM-3 monitors. Lever-operated stream pattern from even fan to full straight stream.

**PART NO. 400326**

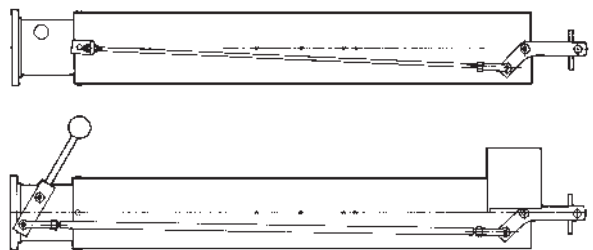
### AFN-1-SS Nozzle

Stainless steel nozzle, fasteners and adjustment rod.

**PART NO. 400380**

## AFN-2 Nozzles

Orifice plates can be sized from 700 - 2000 gpm (2560-7571 Lpm) based on inlet pressure. Range from 60 to 200 ft. (18-61 m) depending on pressure and elevation. Special flange inlet joint and O-ring attaches to WOM-4 monitor. Hard anodized aluminum with stainless steel fasteners and adjustment rod.



### AFN-2 Nozzle

Field adjustable stream pattern: dispersed or full straight stream.

**PART NO. 77088**

### AFN-2M Nozzle

Lever-operated stream pattern: dispersed or full straight stream.

**PART NO. 77115**

### AFN-2-SS Nozzle

Stainless steel nozzle, fasteners and adjustment rod. Field adjustable stream pattern: dispersed or full straight stream.

**PART NO. 77117**

### AFN-2M-SS Nozzle

Stainless steel nozzle, fasteners and adjustment rod. Lever-operated stream pattern: dispersed or full straight stream.

**PART NO. 77116**

# Is Your Foam Washed Up?

**The only way to be sure of foam quality is through annual testing,  
as recommended by NFPA 11...**

NFPA 11: Standard for Low-Expansion Foam, Chapter 7.2, Foam Concentrate Inspection, states: At least annually, an inspection shall be made of foam concentrates and their tanks or storage containers for evidence of excessive sludging or deterioration. Samples of concentrates shall be sent to the manufacturer or qualified laboratory for quality condition testing. Quantity of concentrate in storage shall meet design requirements, and tanks or containers shall normally be kept full, with adequate space allowed for expansion.

## **Ansul Puts It to the Test**

Ansul is a full line foam manufacturer with a Qualified Agents Laboratory equipped to conduct a complete quality analysis with each foam sample you send (including foams from other manufacturers). The analysis includes:

- pH
- Density
- Refractive Index
- Foam Quality
- Fire Performance
- Comments and Recommendations



Ansul's Foam Agent Test Kit provides the containers and instructions to facilitate taking samples and shipping them to our laboratory.

**Order the Ansul Foam Agent Test Kit (Part No. 428679) from your local distributor  
or call us at 800-TO-ANSUL or (715) 735-7415**





## Complete Foam Package

### Quality foam solutions from Ansul . . .

- ▶ ANSULITE® AFFF Concentrates
- ▶ ANSULITE® Alcohol-Resistant Foam Concentrates
- ▶ ANSUL® Protein & Fluoroprotein Foam Agents
- ▶ SILV-EX® "Class A" Foam Agent
- ▶ ANSUL® Proportioning Equipment and Discharge Devices
- ▶ JET-X® High-Expansion Foam Agents and Generators
- ▶ TARGET-7™ Vapor Mitigation and Neutralizing Agent

## For More Information...

About Ansul Foam Products  
or to request a quotation...  
Contact Ansul at:

**1-800-TO-ANSUL** (USA /CAN)  
**1-715-735-7411** (International)  
USA Fax: 1-715-732-3608  
INT'L Fax: 1-715-732-3477

For worldwide sales offices & manufacturing locations, or for a listing of authorized distributors, visit:

**[www.ansul.com](http://www.ansul.com)**

### Other Ansul Foam Companies:



**SABO foam**

Distributed by:



*Innovative Fire Solutions*

ISO 9001 Registered